

## GENERAL INFORMATION

The Sumitomo LS118 is a hydraulic powered crawler crane with leader attachment. The operational weight of the crawler crane and leader attachment excl. piling hammer is approx. 65 tons (33t crawler crane, 17t counterweight, 15t for leader attachment). The maximum raked positions are 14 degrees (4:1) forward and 11.3 degrees (5:1) backward. These raked positions are based upon a hammer weight of 11.5 tons and a maximum pile weight of 9 tons and a 20mtr length. Year of manufacture is 1994.

## UNDERCARRIAGE

The Sumitomo LS 118 has got smooth track plates with a width of 900mm and a bulldozer type undercarriage which are hydraulically extendable.

## LEADER

The leader of the Sumitomo LS 118 consists of 2 sections of 14m making it a total length of 28m. This gives an effective piling depth of about 21 meters when using the PVE 7NL hydraulic hammer.

## WINCHES

The Sumitomo LS 118 is equipped with the following hydraulic winches :

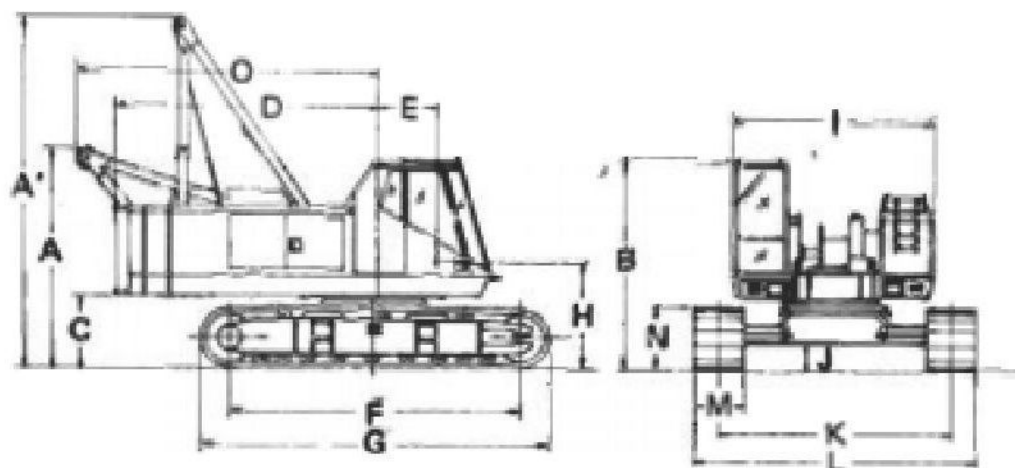
WINCH TYPE	LINE-PULL	SPEED	PARTS	CAPACITY	ROPE DIA.
Main winch	7.0 ton	0-40 mtr/min.	2	14 ton	22 mm
Pile winch	7,0 ton	0-40 mtr/min.	2	14 ton	22 mm
Service winch	5,0 ton	0-40 mtr/min.	1	5 ton	19 mm

Max. capacity, pile+hammer : 21,0 ton  
Diesel engine : HINO, Turbo charged diesel engine  
Engine power at 1800 RPM : 140 HP approx.  
Operational weight : 82 ton incl hammer and power pack  
Year of Manufacture : 1994 for the crawler crane  
Running hours : 16975



**General Dimensions**

A	: Height over low gantry unit . . . . .	3.230m
A'	: Height over high gantry unit . . . . .	5.430m
B	: Height of cab . . . . .	3.105m
C	: Counterweight ground clearance . . . . .	1.100m
D	: Radius of rear end . . . . .	4.150m
E	: Center of rotation to boom foot pin . . . . .	0.950m
F	: Center to center distance of tumbler . . . . .	4.840m
G	: Overall length of crawler . . . . .	5.725m
H	: Height from ground to boom foot pin . . . . .	1.655m
I	: Overall width of house . . . . .	3.090m
J	: Ground clearance . . . . .	0.410m
K	: Center to center distance of crawler	
	extended . . . . .	3.590m
	retracted . . . . .	2.540m
L	: Overall width of crawler	
	extended . . . . .	4.350m
	retracted . . . . .	3.300m
M	: Shoe width . . . . .	0.760m
N	: Height of shoe . . . . .	0.965m
O	: Tail swing radius at low gantry . . . . .	4.720m



**Pricing:**

---

**1 unit used Sumitomo LS118 with 27m boom**

**Euro : 149,000**

---

### 1. ICE 416L hydraulic vibratory hammer

Year of manufacture	2011
Fully overhauled in February	2019
Max. centrifugal force	645 kN
Eccentric weight	23 kgm
Max. pull up	400 kN
Weight incl clamp	4.040 kg
Hydraulic hose bundle	30 meter
Max. oilflow	380 liter/min.
Max. working pressure	350 bar
ICE sheetpile clamp	1x 100 TU



### 1. ICE 400 hydraulic power pack

Engine	CATERPILLAR C9
Engine model	6 cylinder, turbo charged
Output	rated at 329 HP
Oilflow	max. 396 liters/min.
Max. pressure	rated at 350 bar
Dimension indication	4.000 x 1.650 x 2.100 mm
Weight	6.000 kg
Controls	Iqan system
Capacity	fuel tank 600 liter
Capacity	hydraulic tank 1000 liter
Hydraulics	Parker pump, Open Loop
Year of manufacture	2011
Running hours	2763
Colour	ICE Grey and Black



---

price (EXW,;) Euro 135.000,--

---



### **1 pc Used Vibratory Hammer PTC 30HFV**

Year of manufacture 2001  
Max. centrifugal force 0-1569 kN  
Max. eccentric weight 0 - 29 kgm  
Frequency 0-2300 RPM  
Max. pull up 600 kN  
Weight 8200 kg (incl clamp)  
Universal sheet pile clamp

### **1 pc Used Power Pack PVE 600PP**

Power pack model PVE 600  
Engine cylinder turbo diesel  
Engine output 430 kW / 585 HP  
Year of manufacture 1995  
Working hours 6.800 h  
Max. oilflow 650 l/min.  
Max. pressure 350 bar  
Weight 7.600 kg  
Dimensions 4,5x2,25x1,7m  
Hoses 30 m



---

**price (EXW ) Euro : 140,000**

---